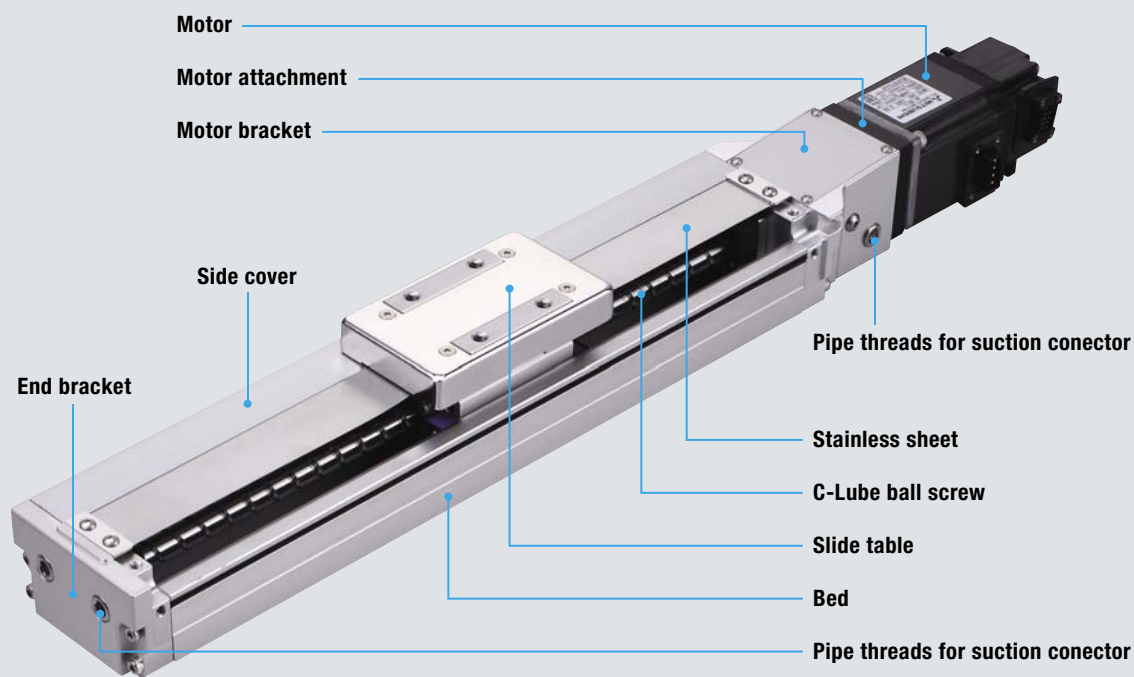


**Cleanliness ISO Class 3
(Federal Standard 209D class 1)
is achieved!**



Cleanroom Precision Positioning Table TC...E is light-weight, low-cross section, and compact precision positioning table, which is TE table with tight-sealing structure with stainless sheet and side covers that prevent dust generating from the table to the surrounding environment to correspond to cleanliness ISO Class 3 (Federal Standard 209D class1). C-Lube lubrication parts are built-in the linear motion rolling guide integrated in the slide table and the ball screw, achieve long-term maintenance-free feature.

Structure of TC...E



Features

1 Cleanliness level equivalent to ISO class 3! (Federal Standard 209D class 1)

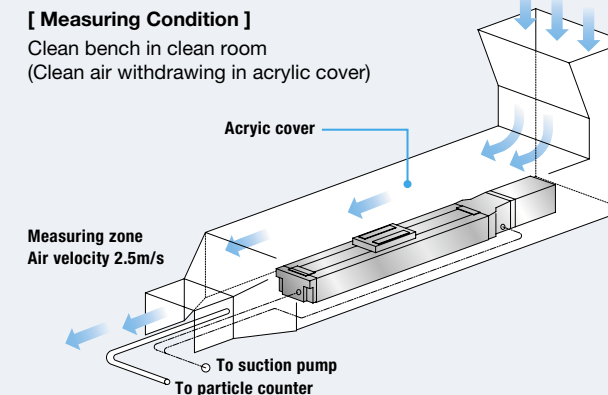
The driving part and slide table guide part inside of table are sealed tightly with stainless sheet and side covers, which are excellent for corrosion resistance.

Cleanliness measurement

Measuring condition

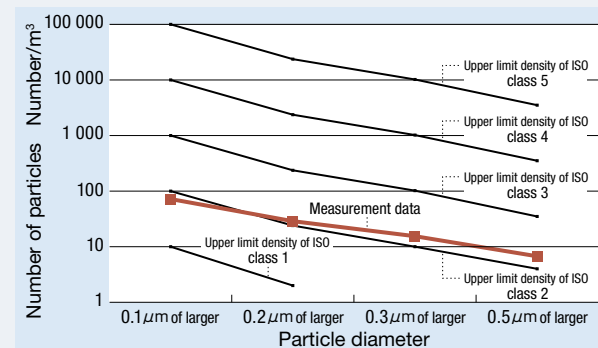
Item	Condition
Measuring device	Particle counter
Air velocity in measuring zone	2.5 m/s
Measuring air amount	28.3 L (1cf)
Measuring time	48 hours (10 min./time, 1 time/hour)

Schematic diagram of the test equipment

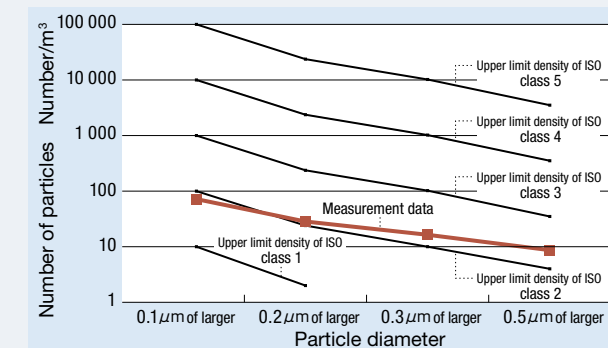


Example of measurement data [cleanliness evaluation result with upper limit density of cleanliness]

TC60E300 (Lead of ball screw: 10mm)
 Stroke length 200mm
 Moving speed 500mm/s
 Internal suction amount 30L/min



TC86E940 (Lead of ball screw: 20mm)
 Stroke length 800mm
 Moving speed 560mm/s
 Internal suction amount 40L/min



2 Light-weight, Low-cross section, and Compact!

Light-weight and compact positioning table using high-strength aluminum alloy for its main components. Low cross-section (54 mm high for TC60E and 67 mm high for TC86E) due to optimum designing of linear guides and ball screws.

3 High positioning accuracy!

Higher precision positioning by one rank due to a combination of IKO unique linear motion rolling guide technology and precision-ground ball screws.

4 High corrosion resistance!

The main composition parts, which are made from high strength aluminum alloy coated with alumite treatment and stainless sheet, are excellent in corrosion resistance.

5 Long-term maintenance free!

Long-term maintenance free operation due to IKO original C-Lube lubrication part built in the linear motion rolling guide and the ball screw. This can reduce labor time for lubrication and increase the reliability of the equipment.